

# UCN-01

## UNIQUE NOTCHING and CUTTING MACHINE

### RIGID and DURABLE

With the purpose of enabling the machine bodies to be resistant against corosions and strokes for years, it has been made of steel and its slide systems have been stones in a sensitive way.

By this means, life of the cutting edges has been prolonged and cutting precision has been increased.



### COVERED WITH TITANIUM

Cutting edges is made of powder metal product imported steels and are passed through the most suitable heat treatment for the cutting operation. In order to increase the resistance of the cutting edges against corrosion and cutting, all our knives are covered with TiN (Titanium). TiN covering provides a 50-70 percent increase in the number of cutting and as it is protected against side corosions, it increases the life of the rule 4-5 times.

### NO MORE CORROSION and RUSTING

All parts of the machine have been covered with CrN (chrome nitride) which is a special casing type that is resistant against corrosion and rusting for long years.

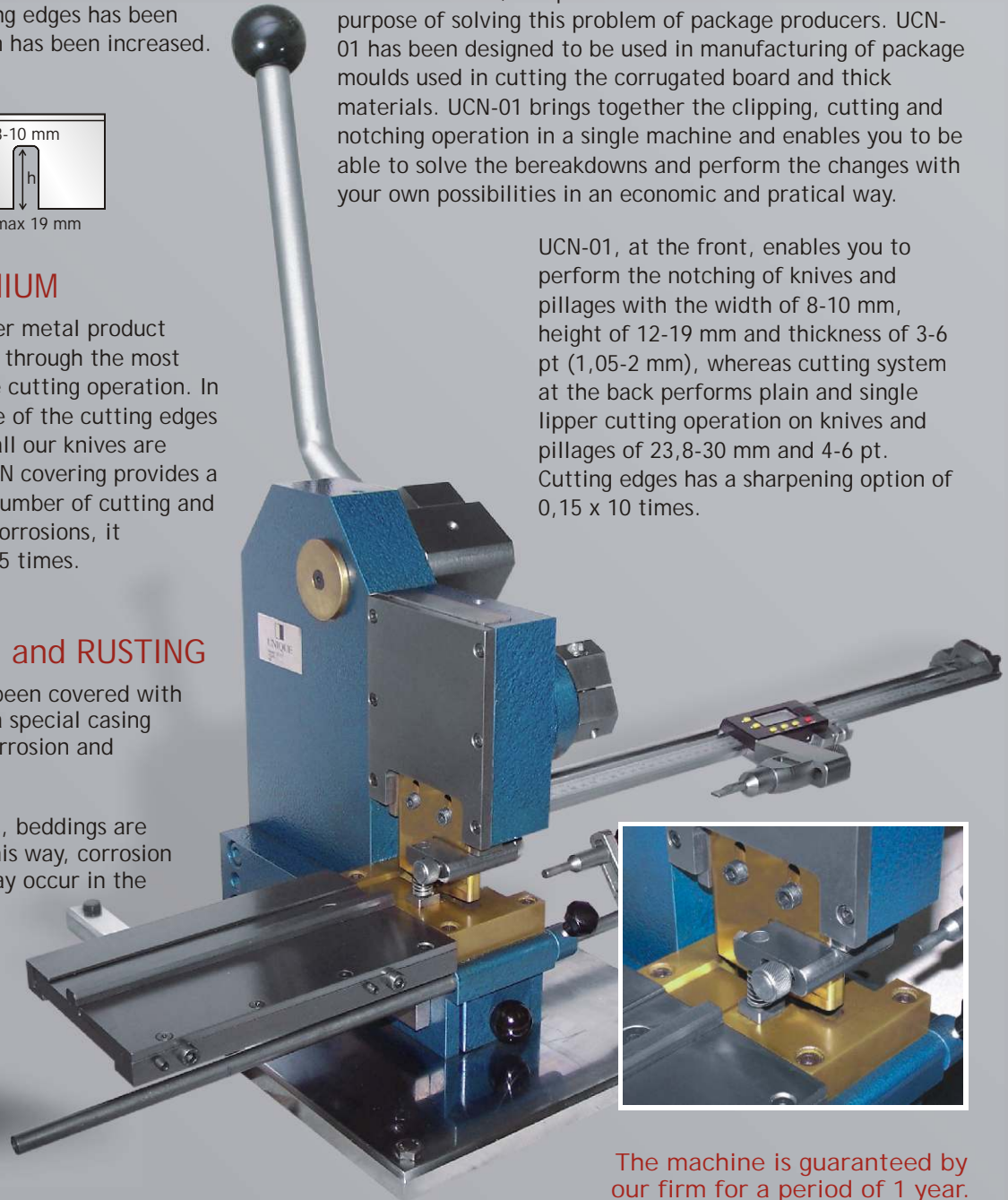
In all Unique eccentric systems, beddings are carried out by rollers and by this way, corrosion spaces are prevented which may occur in the course of time.

3-6 pt. 23,8-30 mm

AST and PRECISE

Many enterprises, which are active in manufacturing of package cutting moulds, need to consult to the mould provider for the breakdowns and changes occurring at the moulds. And this increases the production cost and loss of time. Therefore, Unique manufactured UCN-01 with the purpose of solving this problem of package producers. UCN-01 has been designed to be used in manufacturing of package moulds used in cutting the corrugated board and thick materials. UCN-01 brings together the clipping, cutting and notching operation in a single machine and enables you to be able to solve the breakdowns and perform the changes with your own possibilities in an economic and practical way.

UCN-01, at the front, enables you to perform the notching of knives and pillages with the width of 8-10 mm, height of 12-19 mm and thickness of 3-6 pt (1,05-2 mm), whereas cutting system at the back performs plain and single lipper cutting operation on knives and pillages of 23,8-30 mm and 4-6 pt. Cutting edges has a sharpening option of 0,15 x 10 times.



The machine is guaranteed by our firm for a period of 1 year.